

Universal Joints

Steel, for Ordinary Applications

SPECIFICATION

Types

- Type **EG**: Single, friction bearing
- Type **DG**: Double, friction bearing

Steel

- Not hardened
- Blackened

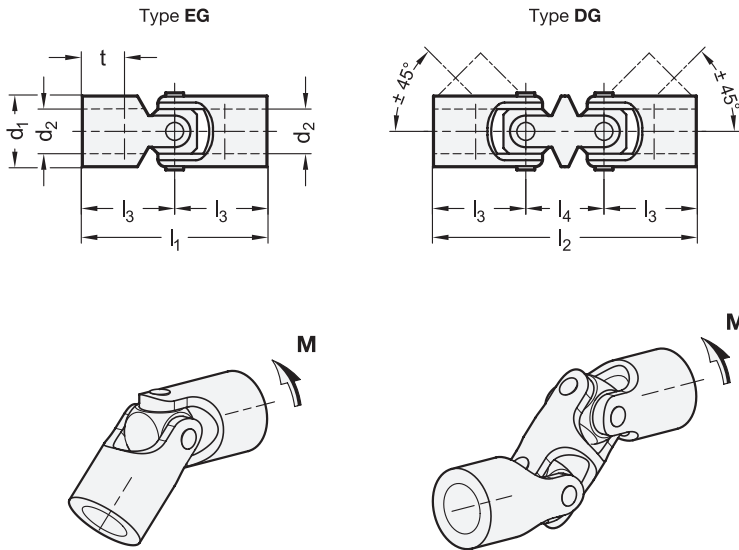
INFORMATION

Universal joints GN 9080 are a simple and very competitively priced variant.

They can only be used for applications with low revolutions. Typical applications are all types of manual operations such as the adjustment of louvers.

TECHNICAL INFORMATION

- Cross holes GN 110.1 (see page A17)
- ISO-Fundamental Tolerances (see page A21)



GN 9080-EG

Description	d ₁	d ₂ H8 Bore	l ₁	l ₃	t+1 Assembly length of the shaft	M Max. torque in Nm	⚖
GN 9080-13-B8-EG	13	B 8	42	21	12	2	25
GN 9080-16-B10-EG	16	B 10	52	26	15	3	47
GN 9080-20-B12-EG	20	B 12	62	31	18	6	86
GN 9080-25-B16-EG	25	B 16	74	37	22	12	140
GN 9080-32-B20-EG	32	B 20	86	43	25	24	280

GN 9080-DG

Description	d ₁	d ₂ H8 Bore	l ₂	l ₃	l ₄	t+1 Assembly length of the shaft	M Max. torque in Nm	⚖
GN 9080-13-B8-DG	13	B 8	60	21	18	12	2	36
GN 9080-16-B10-DG	16	B 10	74	26	22	15	3	68
GN 9080-20-B12-DG	20	B 12	88	31	26	18	6	132
GN 9080-25-B16-DG	25	B 16	104	37	30	22	12	235
GN 9080-32-B20-DG	32	B 20	124	43	38	25	24	455